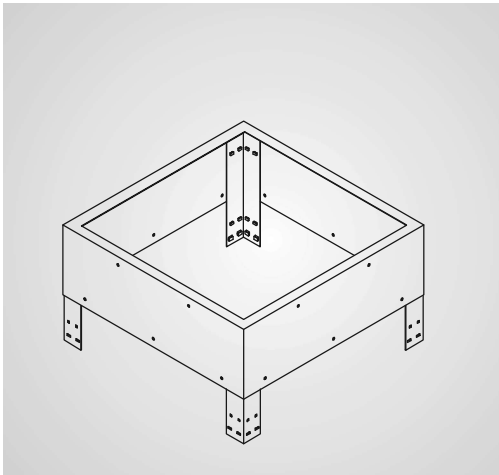


FILMOD

Filter Housing Frame for Pre and Fine Filters



FMT304P292-25,00-25,00-11,50

FILTER CODE STRUCTURE

Equipment Type	FM FILMOD
Metal Type	T Stainless Steel
Metal Quality	304 304 Stainless Steel
Gasket Type	P Polyurethane
Case Depth	292 11,50 inch
Case Size	25,00-25,00-11,50

FEATURES

- Materials Galvanized, Stainless steel
- Available frame width is 11,50 inch
- EPDM and Polyurethane Gasket

APPLICATIONS

- Pocket filters, compact filters, and all other framed filters
- In air handling units
- In the construction of filter cells and filter walls
- In the construction of additional filter units
- It provides fast and economical solution
- The filter can be easily and safely mounted by inserting it the frame
- Sealing is achieved by means of 4 clamp clips
- Filtration walls of arbitrary sizes can be built thanks to the self-supporting
- Stable construction of the frames
- Filter mounting frames are made of GALVANIZED STEEL and STAINLESS STEEL
- Other dimensional versions available upon request

Filter Code	Material Type	Mounting Frame Size mm W x H x D	Filter Frame Size mm W x H x D	Weight (lbs)
FMT304P292	Stainless Steel	12,80-12,80-11,50	12,01-12,01-11,50	15,43
FMT304P292	Stainless Steel	12,80-25,00-11,50	12,01-24,02-11,50	20,94
FMT304P292	Stainless Steel	20,28-25,00-11,50	19,29-24,02-11,50	24,25
FMT304P292	Stainless Steel	25,00-25,00-11,50	24,02-24,02-11,50	26,46

Filter Code	Material Type	Mounting Frame Size mm W x H x D	Filter Frame Size mm W x H x D	Weight (lbs)
FMG120P292	Galvanized Steel	12,80-12,80-11,50	12,01-12,01-11,50	15,43
FMG120P292	Galvanized Steel	12,80-25,00-11,50	12,01-24,02-11,50	20,94
FMG120P292	Galvanized Steel	20,28-25,00-11,50	19,29-24,02-11,50	24,25
FMG120P292	Galvanized Steel	25,00-25,00-11,50	24,02-24,02-11,50	26,46